

,

▪

ofc/ »

tOCCIAIUIAPI

ft. s 3

| | | | | | | |
|---|------------|--------------|---|---|----------------|---|
| 1 | « | » | (|) | - | - |
| 2 | 6.06.94 | 163 | | | - | - |
| 3 | « | DIN 30681—74 | « | » | JISB 2352—1977 | - |
| | BS 6129—81 | « | | | | - |
| | . 41. | | | | | - |
| | » | | | | | - |
| 4 | | | | | | |

, 1994

» .

»

: III I

| | | | |
|------|-------|--------|-----------|
| | | | 1 |
| 2 | | | 1 |
| 3 | | | 2 |
| 4 | | | |
| "> | | | 31 |
| 6 | » | ' | 31 |
| 7 | | | 32 |
| 8 | | | •>> |
| 9 '1 | i | i | 33 |
| 10 1 | | :0 ;11 | 33 |
| 11 | ! | . | 33 |
| 12 | | | 33 |
| | | | : |

Meta! bellows expansion joints for the pipelines of
 electiic power stations and heat-suppl\ s\ steins
 Types. basic papameters and gncial technical requi icnts

1995—01- 01

12.5, 12.6 8. , 5.2, 6.1, 7.1—7.5,

(—),

I ! \ ceiei.

2

i

1 2.2.003—91 6

(). 12.3.003 - 86 (' ! ^ i .

12.3.025—80

356—80 1

, 380—88

. 4513—71 ip\

| | | | | | |
|----------|-----|------|---|---------------|---|
| 5632—72 | | | | | - |
| 10704—91 | | | | | - |
| 12815—80 | 0.1 | 20,0 | ' | (1 200 / 2). | - |
| 14771—76 | | | | | - |
| 15150—69 | | | | | - |
| 1050—88 | | | | | - |
| 20072—74 | | | | | - |
| 23170—78 | | | | | - |
| 25756—83 | | | | | - |
| 27036—86 | | | | | - |
| 28697—90 | | | | | - |
| 50392—92 | | | | | - |

3

| | | | | | |
|-------------|--|--|------|--|--|
| <i>L</i> — | | | | | |
| <i>D</i> — | | | | | |
| <i>Di</i> — | | | | | |
| <i>d</i> — | | | | | |
| <i>dy</i> — | | | | | |
| — | | | | | |
| // — | | | | | |
| — | | | | | |
| — 1 — | | | (±), | | |

$\frac{-1}{-1}$ $\frac{-}{-}$ (\pm) , (\pm) .

4

4.1 , -
- , -

1.2 . , -
- , -
(— , ,),

1.3 - .
- . ,
- , -
1 .

()
1.4 . -
-

5.1. ,
1.5 (-
1) (1—8) -
- ,
2—9, 1—8 -
- .

| | | | D \. | (/ 2) | | D . | / .' | | |
|-----|--|----|---------|----------------------|---|--------------|------|---|---|
| | | | | | | | | | - |
| 001 | | 01 | 65—500 | 1,0(10)- -2,3(25) | | -60 4-560 | 8 | 1 | 2 |
| | | 02 | | | | | 120 | | |
| | | 03 | | | | -50 | 8 | | |
| | | 04 | | | | + 300 | 120 | | |
| | | 21 | 50—500 | 1,0(10)- -6,3(63) | | -60 4-560 | 8 | 2 | 3 |
| | | 22 | | | | | 120 | | |
| | | 23 | | | | -50 | 8 | | |
| | | 24 | | | | + 300 | 120 | | |
| | | 01 | 65-500 | 1.0(10), 1,6(16) | | -60 560 | 8 | 3 | 4 |
| | | 02 | | | | | 120 | | |
| | | 03 | | | | -50 | 8 | | |
| | | 01 | | | 1 | 4-300 | 120 | | |
| | | 21 | 50- 5 0 | 1,0(10)- -6,3(63) | | -60 4 560 | 8 | 4 | 5 |
| | | 22 | | | | | 120 | | |
| | | 23 | | | | -50 | 8 | | |
| | | 24 | | | | + 300 | 120 | | |

| | | № X " | D.V, | PV. (/ ²) | | | / | | | |
|------|--|-------------|----------|-------------------------|--------|-------------|---|---|---|-----|
| | | | | | | | | | - | |
| 100 | | 01 | 65—500 | 0,25(25)— -2,5(25) | 1 | —60 +560 | 8 | 5 | 6 | |
| | | 02 | | | | | | | | 120 |
| | | 03 | | | | | | | | 8 |
| | | 04 | | | | | | | | 120 |
| | | 21 | 50—300 | 0,63(6,3) — -6,3(63) | IKOC1 | —60 +560 | 8 | 6 | 7 | |
| | | 22 | | * | 120 | | | | | |
| | | 23 | 600—2200 | 0,63(6,3) — -2,5(25) | | —50 +300 | 8 | | | |
| | | 24 | | * | 120 | | | | | |
| Kill | | 01 | 65- 500 | 0,25(2,5)— -2,5(25) | LKOCTb | -60 +560 | 8 | 7 | 8 | |
| | | 02 | | | | | | | | 120 |
| | | 03 | | | | | | | | 8 |
| | | 04 | | | | | | | | 120 |

| | | | D.V, | N. (/ 2 } | | | / , ' | | |
|------|--|-----|----------|-------------------------|--|---------------|-------|---|---|
| | | | | | | | | - | - |
| Kill | | 21 | 50-500 | 0,63(6,3)- -6,3(63) | | -60' 4 560 | 8 | 8 | 9 |
| | | 22. | | | | | 120 | | |
| | | 23 | 600-1400 | 0,63(6.3) — -2,5(25) | | -50 3i00 | 8 | | |
| | | 24 | | | | | 120 | | |

1.

1—8

2.

«

»

(

)

1—8.

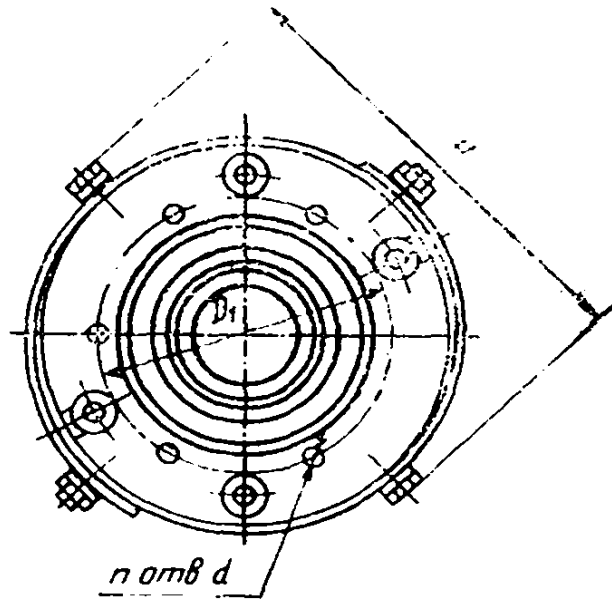
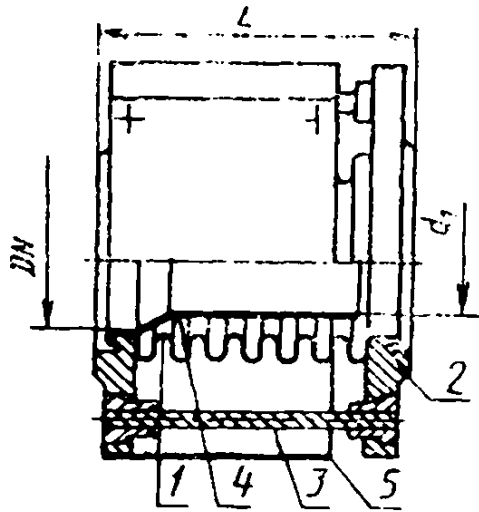
-

-

-

001

02, 04



1 — ; 2 — ; 3 —

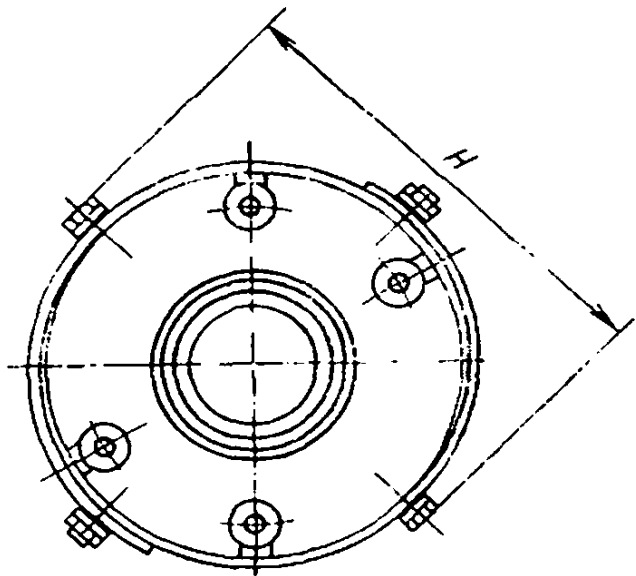
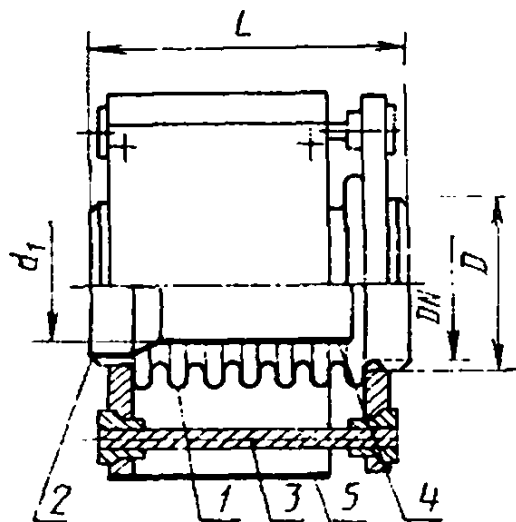
: 5 —

: 7 —

1

001

22, 24



1 — ; 3 — ; 4 —

: 3 — ; 5 —

2

| <i>DN</i> | (\cdot / \cdot) ¹ | //. | | (\cdot | / \cdot \] |
|-----------|------------------------------------|-----|------|-----------|---------------|
| 65 | 1,0 (10); 1,6 (16) | 235 | 225 | 50 | 10 |
| | 2,5 (25) | 245 | | | |
| 80 | 1,0 (10); 1,6 (16) | | 255 | 210 | 60 |
| | 2,5 (25) | | | | |
|) | 1,0 (10) | 275 | 230 | 105 | |
| | 1,6 (16); 2,5 (25); 1,0 (10) | | | | |
| 125 | 1,6 (16) | 280 | 270 | 130 | |
| | 2,5 (25)- 1,0 (10) | 300 | | | |
| 150 | 1,6 (16) | 310 | 235 | 160 | |
| | 2,5 (25) | 335 | 275 | | |
| | 1,0 (10) | 380 | 240 | | |
| 200 | 1,6 (16) | 385 | 305 | 21(1 | |
| | 2,5 (25) | 420 | 31,5 | | |
| | 1,0 (10) | 435 | 280 | | |
| 250 | 1,6 (16) | 440 | 315 | 21(1 | |
| | 2,5 (25) | 500 | 325 | | |
| | | | | | |

2

| <i>D.</i> | (' / *) | !1 // 1 1 | . | <h. | · 6-1 |
|-----------|------------------------|-----------|------------|-----|--------------------------------|
| 300 | 1.0 (10) ; 1.6 (16) | 495 | 300 315 | 260 | 1 7 |
| | 2,5 (25); 1.0 (10) | 545 | 335 310 | | |
| 350 | 1.6 (Hi) | 580 | 340 | | |
| | 2.5 (25) | 610 | 365 | | |
| 400 | 1.0 (10) | 595 | 325 | 360 | |
| | 1.6 (16) | 640 | 370 | | |
| | 2,5 (25) | 665 | 390 | | |
| 450 | 1.0 (10) | 730 | 420 | 425 | |
| | 1.6 (16) | 740 | 405 | | |
| 500 | 1.0 (10) | 780 | 460 | 480 | |
| | 1.6 (16) | 800 | 390 | | |

3.

001.

21—24

| | P.V. (' / -) | //. | . | / . | 6—1 |
|----|-----------------------------------|-----|-----|-----|-----|
| 50 | 1.0 (); 1.6 (16); 2,5 (25) | 200 | 255 | 45 | 5 |
| | 4.0 (40); 6,3 (63) | 220 | 230 | | |

podijfce/iue . 3

| UN | (\. \ui.i) | //. | t. | | 1. ¹ \ 6—1 |
|-----|---|-----|------------|-----|-----------------------|
| 65 | 1.0 (10); 1.6 (16) | 235 | 255 | 50 | 7 |
| | 2.5 (25); 4,0 (40); 6.3 (63) | 245 | | | |
| 80 | 1.0 (1); 1.6 (16) | 255 | 250 | 00 | |
| | 2.5 (25); 4,0 (40); 6,3 (63) | | | | |
| 100 | 1.0 (10) | 275 | 260 | 85 | |
| | 1,6 (16); 2,5 (25); 4,0 (40); 6,3 (63) | | | | |
| 125 | 1.0 (10) | 275 | 260 | 105 | |
| | 1,6 (16) | 280 | | | |
| | 2.5 (25); 4.0 (-10); 6.3 (63) | 300 | 300 320 | | |
| 150 | 1,0 (10) | 380 | 305 | 135 | |
| | 1,6 (16) | | | | 310 |
| | 2,5 (25) | | | | 335 |
| | 4,0 (40); 6,3 (63) | | | | 350 |
| 200 | 1,0 (10) | 385 | 270 | 160 | |
| | 1.6 (16) | | 335 | | |

17

3

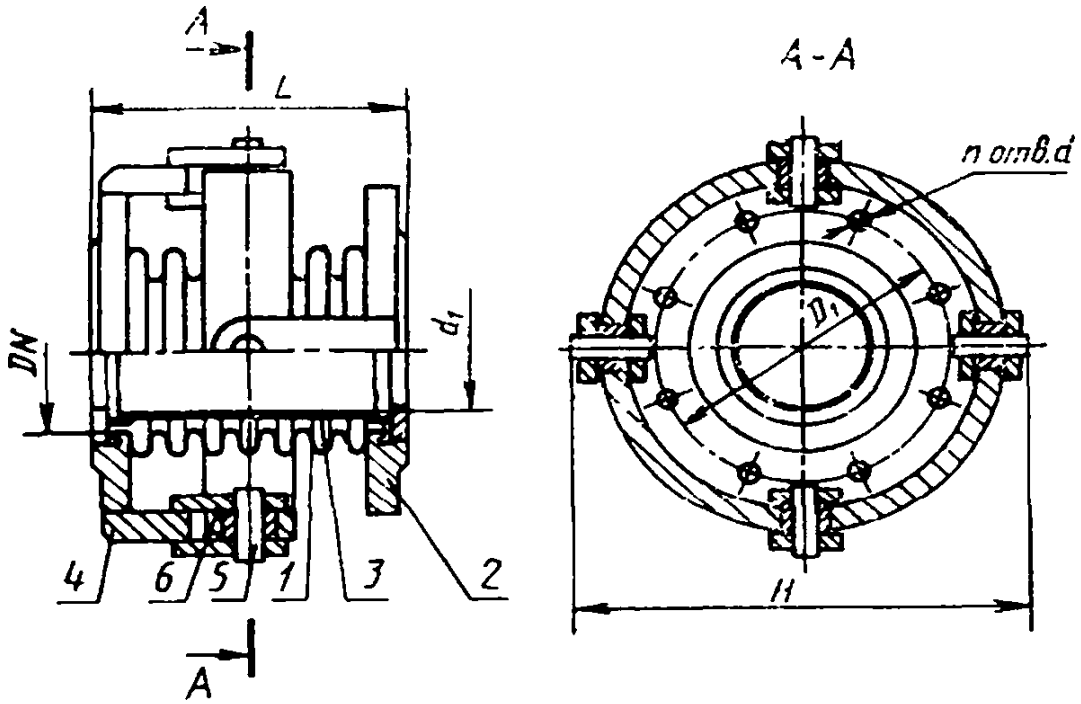
| | (/ -) | / | L, | d.. | < 6-1 |
|-----|------------------------------------|------|------------|-----|-------|
| 200 | 2,5 (25) | 420 | 345 | 160 | 7 |
| | 4,0 (40); 6,3 (63) | 440 | 400 | | |
| 250 | 1,0 (10) | 435 | 310 | 210 | |
| | 1,6 (16) | 440 | 345 | | |
| | 2,5 (25) | 500 | 355 | | |
| | 4,0 (40); 6,3 (63) | 525 | 460 | | |
| 300 | 1,0 (); 1.6 (16) | 495 | 330 345 | 260 | |
| | 2,5 (25); 4,0 (40); 6,3 (63) | 545 | 480 | | |
| 350 | 1,0 (10) | 545 | 480 | 310 | |
| | 1,6 (16) | 580 | 370 | | |
| | 2,5 (25) | (510 | 395 | | |
| | 4,0 (40); 6,3 (63) | 635 | 480 | | |
| 400 | 1,0 (10) | 595 | 355 | 360 | |
| | 1,6 (16) | 640 | 400 | | |
| | 2,5 (25) | 665 | 420 | | |
| | 4,0 (40); 6,3 (63) | 700 | 500 | | |

, 3

| <i>LfN</i> | AV. (/ ²) | | <i>L,</i> | | \$ - -1 |
|------------|------------------------------------|-----|-----------|-----|---------|
| 450 | 1.0 (10) | 730 | 460 | 425 | 7 |
| | 1,6 (16) | 740 | 435 | | |
| | 2,5 (25); 4.0 (40); 6,3 (63) | 780 | 520 | | |
| 500 | 1.0 (10) | 790 | 490 | 480 | |
| | 1.6 (16) | 800 | 420 | | |
| | 2,5 (25); 4,0 (40); 6,3 (63) | 850 | 650 | | |

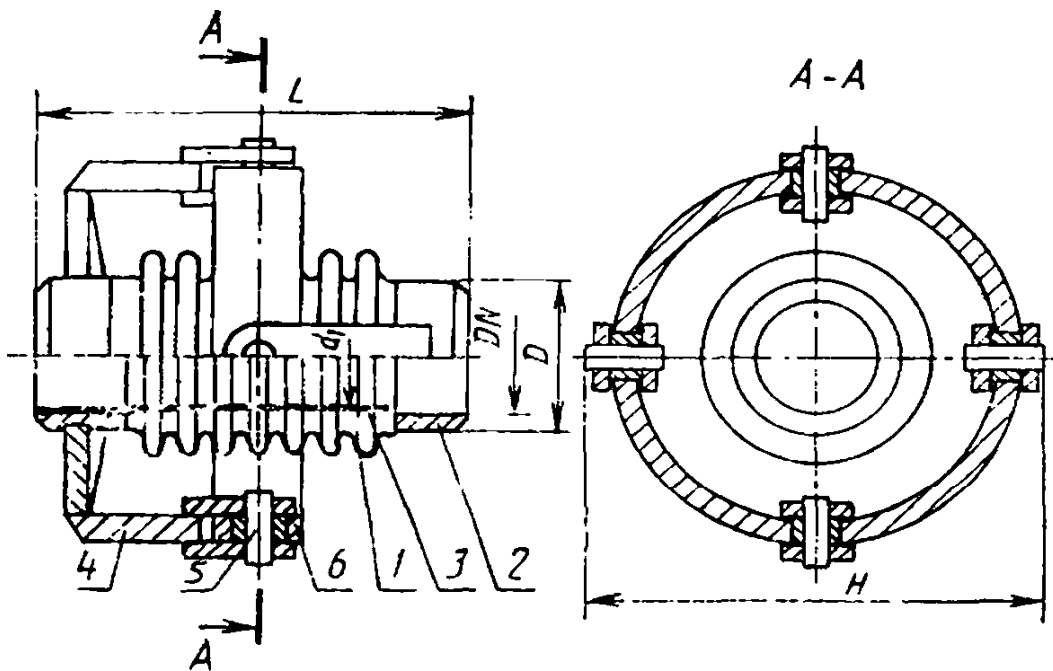
1,6 (16 / ²) 001, 03 -
200 : -
1.03—16—200 50671—94

02, 04



1— ; 2— ; 3— ; 4— ;
 5— ; 6—
 3

22, 24



1— ; 2— ; 3—
 4— ; 5— ; 6—
 4

| | $PN,$ (/) | l | | | — 1 |
|-----|----------------|-----|-----|-----|-----|
| 65 | 1,0 (10) | 235 | 215 | 50 | 10° |
| | 1,6 (16) | 245 | 225 | | |
| 80 | 1,0 (10) | | 260 | 200 | |
| | 1,6 (16) | 215 | | | |
| 100 | 1,0 (10) | 265 | 200 | 85 | |
| | 1,6 (16) | 280 | 215 | | |
| 125 | 1,0 (10) | 290 | 220 | 105 | |
| | 1,6 (16) | 305 | 235 | | |
| 150 | 1,0 (10) | 335 | 225 | 130 | |
| | 1,6 (16) | 340 | 240 | | |
| 200 | 1,0 () | 410 | | 295 | |
| | 1,6 (16) | 425 | | | |
| 250 | 1,0 (10) | 490 | 280 | 210 | |
| | 1,6 (16) | 530 | 305 | | |
| 300 | 1,0 (10) | 555 | 300 | 260 | |
| | 1,6 (16) | 585 | 310 | | |
| 350 | 1', (1) | 635 | | 360 | |
| | 1,6 (16) | 660 | | | |
| 400 | 1,0 (1*0) | 720 | 325 | 360 | |
| | 1,6 (16) | 745 | 390 | | |
| 450 | 1,0 (10) | 805 | 430 | 425 | |
| | 1,6 (16) | 835 | 455 | | |
| 5Q0 | 1,0 (10) | 865 | 495 | 480 | |
| | 6 (16) | 965 | 470 | | |

5.

21—24

мм

| <i>DN</i> | <i>PN</i> , МПа (кгс/см ²) | <i>H</i> , не более | <i>L</i> , не более | <i>d_i</i> , не менее | Амплитуда поворота γ —1 не менее |
|-----------|---|------------------------|------------------------|------------------------------------|---|
| 50 | 1,0 (10) | 205 | 230 | 45 | 7° |
| | 1,6 (16); 2,5 (25) | 220 | | | |
| | 4,0 (40); 6,3 (63) | 235 | 240 | | |
| 65 | 1,0 (10) | 245 | 245 | 50 | 10° |
| | 1,6 (16); 2,5 (25); 4,0 (40); 6,3 (63) | | 255 | | |
| | 1,0 (10) | | 260 | | |
| 80 | 1,6 (16) | 260 | 260 | 60 | 10° |
| | 2,5 (25); 4,0 (40); 6,3 (63) | 270 | | | |
| | 1,0 (10) | 280 | 265 | | |
| 1,6 (16) | 290 | | | | |
| 100 | 2,5 (25); 4,0 (40); 6,3 (63) | 290 | 270 | 105 | 10° |
| | 1,0 (10) | | | | |
| | 1,6 (16) | 335 | | | |
| 125 | 1,0 (10) | 305 | 270 | 105 | 10° |
| | 1,6 (16) | | | | |
| | 2,5 (25); 4,0 (40); 6,3 (63) | 335 | | | |

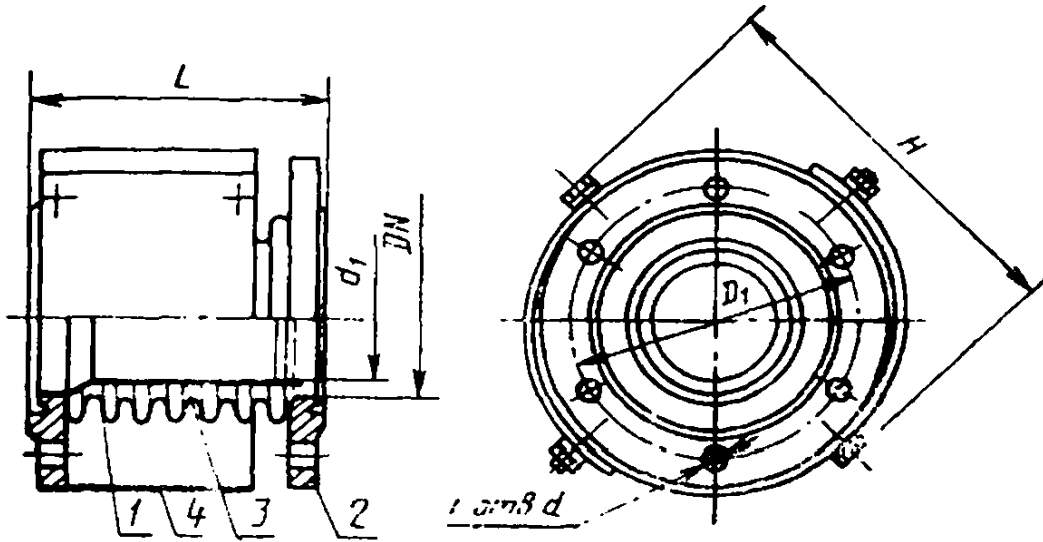
| <i>DN</i> | <i>PN,</i> (<i> / </i>) | <i>,</i> | | <i>di.</i> | <i>—1</i> |
|-----------|------------------------------------|----------|-----|------------|-----------|
| 150 | 1,0 (10) | 335 | 280 | 130 | 10° |
| | 1,6 (16) | 340 | | | |
| | 2,5 (25); 4,0 (40); 6,3 (63) | 365 | | | |
| 200 | 1,0 (10) | 410 | 330 | 160 | |
| | 1,6 (16) | 4125 | | | |
| | 2,5 (25); 4,0 (40); 6,3 (63) | 490 | | | |
| 250 | 1,0 (10) | 530 | 340 | 210 | |
| | 1,6 (16) | | | | |
| | 2,5 (25); 4,0 (40); 6,3 (63) | | | | |
| 300 | 1,0 (10) | 585 | 350 | 260 | |
| | (16) | | | | |
| | 2,5 (25); 4,0 (40); 6,3 (63) | | | | 635 |
| 350 | 1,0 (10) | 660 | 390 | 310 | |
| | 1,6 (16) | | | | |
| | 2,5 (25); 4,0 (40); 6,3 (63) | | | | 720 |

5

| | (' / ²) | · | > | 4*1» | —1 |
|-----|------------------------------------|------|-----|------|-----|
| 400 | 1,0 (10) | 720 | 400 | 360 | 10° |
| | 1.6 (16) | 745 | 420 | | |
| | 2,5 (25); 4.0 (40); 6,3 (53) | 805 | 460 | | |
| 450 | 1,0 () | 865 | 470 | 425 | |
| | 1,6 (16) | | | | |
| | 2.5 (25); 4.0 (40); 6,3 (63) | | | | |
| 500 | 1.0 (10) | 1000 | 480 | 480 | |
| | 1.6 (16) | | | | |
| | 2,5 (25); 4,0 (40); 6,3 (63) | | | | |

1,0 (10 ' / ²) , 22⁻ 150 :
010.22—10—150 50671—94

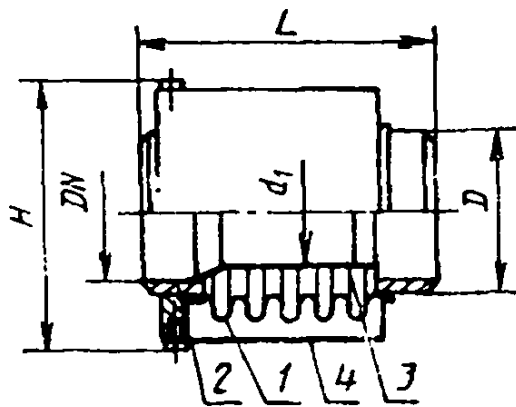
02, 04



1 — сиффон; 2 — фланец; 3 — направляющий патрубок; 4 — кожух

5

22, 24



1 — ; 2 — ; <7 — ; 4 —

6.

100,

01—04

| | (/ 2) | / | | dr. | X—1 |
|-----|--|-----|-----|------|-----|
| 65 | 0,25 (2,5); 0,63 (6,3); 1,0 (10); 1,6 (16); 2,5 (25) | 205 | 255 | 50 | 30 |
| 80 | 0,25 (2,5); 0,63 (6,3); 1,0 (10); 1,6 (16); 2,5 (25) | 220 | 215 | G0 | |
| 100 | 0,25 (2,5); 0,63 (6,3); 1,0 (10); 1,6 (16); 2,5 (25) | 240 | | 85 | 35 |
| 125 | 0,25 (2,5); 0,63 (6,3); 1,0 (10); 1,6 (16); 2,5 (25) | 260 | 235 | 105 | |
| 150 | 0,25 (2,5); 0,63 (6,3); 1,0 (10); 1,6 (16); 2,5 (25) | 290 | 240 | 130 | 40 |
| 200 | 0,25 (2,5); 0,63 (6,3); 1,0 (10); 1,6 (16); 2,5 (25) | 345 | | 160 | 45 |
| 250 | 0,25 (2,5); 0,63 (6,3) | 400 | 280 | 2i10 | 55 |
| | 1,0 (10); 1,6 (16); 2,5 (25) | 415 | | | |

| <i>DN</i> | <i>P.V.</i> (/ ²) | <i>//.</i> | <i>L.</i> | <i>rfb</i> | <i>—1</i> |
|-----------|--|------------|-----------|------------|-----------|
| 300 | 0,25 (2,5); 0,63 (6,3) | 465 | 295 | 260 | 65 |
| | 1,0 (10); 1,6 (16) | 470 | | | |
| | 2,5 (25) | | | | |
| 350 | 0,25 (2,5); 0,63 (6,3); 1,0 (10); 1,6 (16); 2,5 (25) | 515 | 305 | 310 | 75 |
| 400 | 0,25 (2,5); 0,63 (6,3) | 565 | 325 | 360 | 80 |
| | 1,0 (10); 1,6 (16); 2,5 (25) | 580 | | | |
| 450 | 0,25 (2,5); 0,63 (6,3) | 615 | 400 | 425 | 85 |
| | 1,0 (10); 1,6 (16); 2,5 (25) | 635 | | | |
| 500 | 0,25 (2,5); 0,63 (6,3) | 670 | 440 | 480 | |
| | 1,0 (10); 1,6 (16); 2,5 (25) | 685 | | | |

7.

100,

21

24

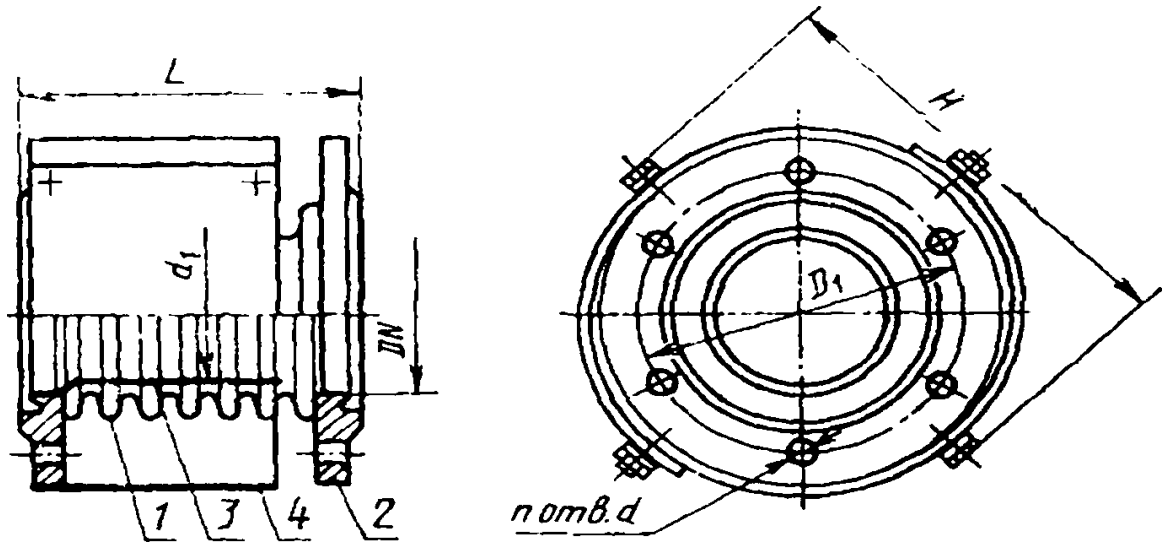
| | (\cdot / \cdot^2) | <i>II.</i> | <i>L.</i> | d_p | —1 |
|-----|---|------------|-----------|-------|----|
| 50 | 0,63 (6,3); 1,0 (10); 1,6 (16); 2,5 (25) | 190 | 210 | 45 | 20 |
| | 4.0 (40); 6.3 (63) | 200 | | | |
| 65 | 0,63 (6.3); 1,0 (10); 1.6 (16); 2,5 (25) | 210 | 255 | 50 | 30 |
| | 4.0 (40); 6.3 (63) | 220 | | | |
| 80 | 0,63 (6,3); 1,0 (10); 1,6 (16); 2,5 (25) | 225 | | 60 | |
| | 4.0 (40); 6.3 (63) | 235 | | | |
| 100 | 0.63 (6.3); 1,0 (10); 1.6 (16); 2.5 (25) | 225 | 260 | 85 | 35 |
| | 4,0 (40); 6,3 (63) | 240 | | | |
| 125 | 0,63 (6,3); 1.0 (10); 1,6 (16); 2,5 (25) | 250 | 270 | 105 | 35 |
| | 4,0 (40); 6.3 (63) | 2.60 | | | |

| <i>DN</i> | (/ 5) | <i>ll.</i> | <i>L,</i> | <i>di.</i> | ,—1 |
|-----------|---|------------|-----------|------------|-----|
| i 150 | 0,63 (6,3); 1,0 (10); 1,6 (16); 2,5 (25) | 275 | 270 | 135 | 40 |
| | 4,0 (40); 63 (63) | 300 | 290 | | |
| 200 | 0,63 (6,3); 1,0 (10); 1,6 (16); 2,5 (25) | 345 | | 290 | 160 |
| | 4,0 (40); 6,3 (63) | 380 | | | |
| 250 | 0,63 (.); 1,0 (10); 1,6 (16); 2,5 (25) | 400 | 310 | 210 | 55 |
| | 4,0 (40); 6,3 (63) | 430 | 325 | | |
| 300 | 0,63 (6.3); 1,0 (), 1,6 (16); 2,5 (25) | 465 | 310 | 260 | 65 |
| | 4,0 (40); 6,3 (63) | 500 | 325 | | |
| 350 | 0.63 (63); L0 (); 1.6 (16); 2.5 (25) | 515 | | 325 | 310 |
| | 4,0 (40); 6,3 (63) | 530 | 350 | | |

| | <i>PN.</i> (/ 3) | <i>ll,</i> | <i>L,</i> | <i>rfb</i> | <i>/</i> <i>,—1</i> |
|-----|---|------------|-----------|------------|------------------------|
| 400 | 0,63 (6,3); 1,0 (10); 1,6 (16); 2,5 (25) | 565 | 350 | 360 | 80 |
| | 4,0 (40); 6,3 (63) | 600 | 375 | | |
| 450 | 0,63 (6,3); 1,0 (10); 1,6 (16); 2,5 (25) | 635 | 390 | 410 | 85 |
| | 4,0 (40); 6,3 (63) | 650 | 400 | | |
| 500 | 0,63 (6,3); 1,0 (10); 1,6 (16); 2,5 (25) | 685 | 440 | 460 | 85 |
| | 4,0 (40); 6,3 (63) | 700 | 445 | | |
| 600 | 0,63 (6,3) 1,0 (10); 1,6 (16); 2,5 (25) | 765 | 450 | 575 | 90 |
| 700 | 0,63 (6,3); 1,0 (10); 1,6 (16); 2,5 (25) | 875 | 455 | 680 | |
| 800 | 0,63 (6,3); 1,0(10); 1,6 (16); 2,5 (25) | 980 | | 775 | |

| | ($\frac{1}{2}$ /) | 17. | . | rfi. | . |
|------|--|------|------|------|-----|
| 900 | 0,63 (6,3); 1,0 (10); 1,6 (16); 2,5 (25); | 1090 | 4-55 | 875 | 90 |
| 1000 | 0,63 (6.3); 1,0 (10); 1.6 (16); 2,5 (25) | 1205 | | 980 | 95 |
| 1200 | 0.63 (6,3); (10); 1,6 (16); 2,5 (25) | 1420 | 470 | 1180 | |
| 1400 | 0.63 (6,3); 1,0 (10); 1.6 (16); 2,5 (25) | 1640 | 460 | 1385 | |
| 1600 | 0.63 (6.3); 1.0 (10); 1.6 (16); 2.5 (25) | 1860 | 500 | 1580 | |
| 1800 | 0.63 (6.3); 1.0 (10); 1,6 (16); 2,5 (25) | 2060 | 520 | 1780 |)00 |
| 2000 | 0.63 (6,3); 1.0 (10); 1.6 (16); 2,5 (25) | 2260 | 550 | 1960 | |
| 2200 | 0,63 (6,3); 1,0 (10); 1,6 (16); 2,5 (25) | 2460 | 600 | 2160 | |

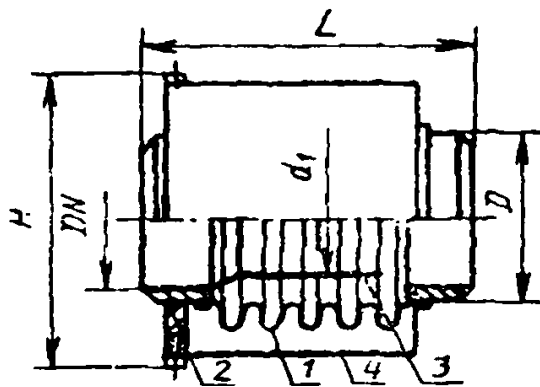
KIII
02, 04



1 — ; 2 — ; 3 — ; 4 — ||

7

Тип KIII



— ; 2 — ; 3 — ; 4 — ;

8

8.

Kill,

01 -04

| | $\lambda > N$ () / | H, не более | L, не более | d ₁ , не менее | | | |
|-----|--|-------------------|-------------------|---------------------------------|----|---|-----|
| | | | | | /1 | 1 | V1 |
| 65 | | 205 | 255 | 50 | 15 | 7 | 10° |
| 80 | | 220 | 215 | 60 | | | |
| 100 | | 240 | | 85 | | | |
| 125 | 0,25 (2,5); 0,63 (6,3); 1,0 (); 1,6 (16); 2,5 (25) | 260 | 235 | 105 | | | |
| 150 | | 290 | 240 | 130 | | | |
| 200 | | 330 | | 160 | | | |
| | | 345 | | 20 | | | |
| 250 | 0,25 (2,5); 0,63 (6,3); 1,0 (10); 1,6 (16); 2,5 (25) | 400 | 280 | 210 | | | |
| | | 415 | | | | | |

iqu.wiim

| $I >$ | $(\dot{ } i *)$ | //. | .1 * | u_3 HV | Амплитуда не менее | | |
|-------|------------------------------------|------|------|-------------|--------------------|---|-----|
| | | | | | 1 | 1 | V > |
| 300 | 0.25 (2.5); 0.63 (6.3); | 465 | 295 | 260 | | | |
| | 1.0 (10); 1.6 (16); 2.5 (25) | •170 | | | | | |
| 350 | 0.25 (2.5); 0.63 (6.3)1 | 5)5 | 305 | 310 | | | |
| | 1.0 (10); 1.6 (16); 2.5 (25) | 520 | | | | | |
| | 0.25 (2.5); 0.63 (6.3) | 565 | 325 | 360 | | | 10 |
| | 1.0 (10); 1,6 (16); 2.5 (25) | 580 | | | | | |
| 450 | 0.25 (2.5); 0.63 (6.3) | 615 | 100 | 425 | | | |
| | 1.0 (10); 1.6 (; 2.5 (25) | 635 | | | | | |
| 500 | 0.25 (2,5); 0.63 (6,3) | 670 | 440 |) | | | |
| | 1.0 (10); J.6 (; 2,5 (25) | 685 | | | | | |

| DN | (! /) | if. iec | . | < . | . | | |
|-----|---|------------|-----|-----|----|----|-----|
| | | | | | -1 | -1 | -1 |
| 50 | 0,03 (6,3); 1,0 (10); 1,6 (16); 2,5 (25) | 190 | 240 | 45 | 10 | 5 | 7 |
| | 4 > (40); 6,3 (63); | 200 | | | | | |
| 65 | 0,63 (6,3); 1,0 (10); 1,6 (16); 2,5 (25) | 210 | 255 | 50 | 15 | 7 | 10° |
| | 4,0 (40); 6,3 (63) | 220 | | | | | |
| 80 | 0,63 (6,3); 1,0 (); 1,6 (16); 2,5 (25) | 225 | 260 | 60 | 15 | 7 | 10° |
| | 4,0 (40); 6,3 (63) | 235 | | | | | |
| 100 | 0,63 (6,3); 1,0 (10); 1,6 (16); 2,5 (25) | 225 | 260 | 85 | 15 | 7 | 10° |
| | 4,0 (40); 6,3 (63) | 200 | | | | | |
| 125 | 0,63 (6,3); 1,0 (10); 1,6 (16); 2,5 (25) | 250 | 270 | 105 | 15 | 7 | 10° |
| | 1,0 (40); 6,3 (63) | 260 | | | | | |

9

DN PN. ; // . . - I 6-1 »

| | | | | |
|-----|---|-----|-----|---------|
| 150 | 0,63 (6,3); 1,0 (10); 1,6 (16); 2,5 (25); 4,0 (40); 6,3 (63) | 275 | 270 | 135 |
| | | 300 | 200 | |
| 200 | 0,63 (6,3); 1,0 (10); 1,6 (16); 2,5 (25) | 345 | 200 | 150 f 0 |
| | 4,0 (40); 6,3 (63) | 380 | 300 | |
| 250 | 0,63 (6,3); 1,0 (); 1,6 (16); 2,5 (25) | 400 | 310 | 210 |
| | 4,0 (40); 6,3 (63) | 430 | 325 | |
| 300 | 0,63 (6,3); 1,0 (10); 1,6 (16); 2,5 (25) | 465 | | 260 |
| | 4,0 (40); 6,3 (63) | 500 | 325 | |
| 350 | 0,63 (6,3); 1,0 (10); 1,6 (16); 2,5 (25) | 5)5 | 325 | 310 25 |
| | 4,0 (40); 6,3 (63) | 530 | 350 | |

7

| <i>DN</i> | (\cdot / \cdot) | <i>II.</i> | <i>L.</i> | <i>di.</i> | <i>Z-I</i> | <i>6-1</i> | <i>-I</i> |
|-----------|---|------------|-----------|------------|------------|------------|-----------|
| 400 | 0,63 (6,3); 1,0 (10); 1,6 (16); 2,5 (25) | 565 | 350 | 360 | 30 | 7 | 10° |
| | 4,0 (40); 6,3 (63) | 600 | 375 | | | | |
| 450 | 0,63 (6,3); 1,0 (10); 1,6 (16); 2,5 (25) | 635 | 390 | 410 | 30 | 7 | 10° |
| | 4,0 (40); 6,3 (63) | 650 | 400 | | | | |
| 500 | 0,63 (6,3); 1,0 (10); 1,6 (16); 2,5 (25) | 685 | 440 | 460 | 30 | 7 | 10° |
| | 4,0 (40); 6,3 (63) | 700 | 445 | | | | |
| 600 | 0,63 (6,3); 1,0 (10); 1,6 (16); 2,5 (25) | 765 | 450 | 575 | 35 | 6 | 9° |
| 700 | 0,63 (6,3); 1,0 (10); 1,6 (16); 2,5 (25) | 875 | 455 | 680 | | | |
| 800 | 0,63 (6,3); 1,0 (10); 1,6 (16); 2,5 (25) | 980 | 455 | 775 | 40 | 5 | 6° |
| 000 | 0,63 (6,3); 1,0 (10); 1,6 (16); 2,5 (25) | 1090 | | 875 | | | |

| | (') | ' | | | . | | |
|------|---|------|-----|------|------|------|----|
| | | | | | X -1 | 1 -1 | VI |
| 1000 | 0,63 (6,3); 1,0 (10); 1,6 (16); 2,5 (25) | 1205 | 470 | 980 | | | 6° |
| 1200 | 0,63 (6,3); 1,0 (); 1,6 (16); 2,5 (25) | 1420 | | 1180 | 40 | 5 | |
| 1400 | 0,63 (6,3); 1.0 (10); 1.6 (16); 2,5 (25) | 1640 | 460 | 1385 | | | 4° |

5

5.1

20 ,
5 .

5.2

(— , , 1.3) -
, 0,9 .

5.3

28697.

2703G

6

6.1

).

(

19,6 — 2. 5 60 {

981 / 2, 6.2 1 —10 .

6.3 .

15150. 6.4 , , , , -

6.5 .

7

7.1 , , ,

7.2 - .

— « :

01.01.90; » , ,

1987 .; » ,

— « » , -

01.01.90 .

7.3 .

7.4 12.3.025, 12.2.003 12.3.003. -

7.5 , - -

8

,

-

,

9

9.1

,

,

-

-

9.2

,

23170.

15150;

10

10.1

-

-

(356),

(27036),

(25756).

10.2

50392.

-

-

,

,

-

-

11

11.1

-

-

11.2

.

11.3

.

12

12.1

12.2

,

. 10.

-

| | | |
|---------|----------------------|----------------|
| net din | 1 | 1 . < |
| | 08 18 0 5632 | 0.1 02 |
| | Ci I2MX 20072 | 03, 04 |
| - | 08 18 10 5632 | 21. 22 |
| | 12 20072 | 23, 24 |
| | 10 17 2 5632 | 01. 02, 21, 22 |
| | Ci 08X18111 5632 | 03, 04. 23, 24 |
| | 08 J 1050 | |
| | 08 18 10 5bJ2 | 02, 01, 22. 24 |
| | 08X18HI0T 5632 | 01, 02, 21, 22 |
| | 40 4543 | 03, 04. 23, 24 |
| | 08X181 5632 | 01, 02, 21, 22 |
| | Cia.ii, I2MX I 20072 | 03, 01. 23. 24 |
| | Ci a ib 40 4543 | |
| \ | 3 I 380 | |

1

2 BoJiejicjBHe

!

1.

12.3

-8

14771.

12.4
12815,

(D) (£> , d) 10704.

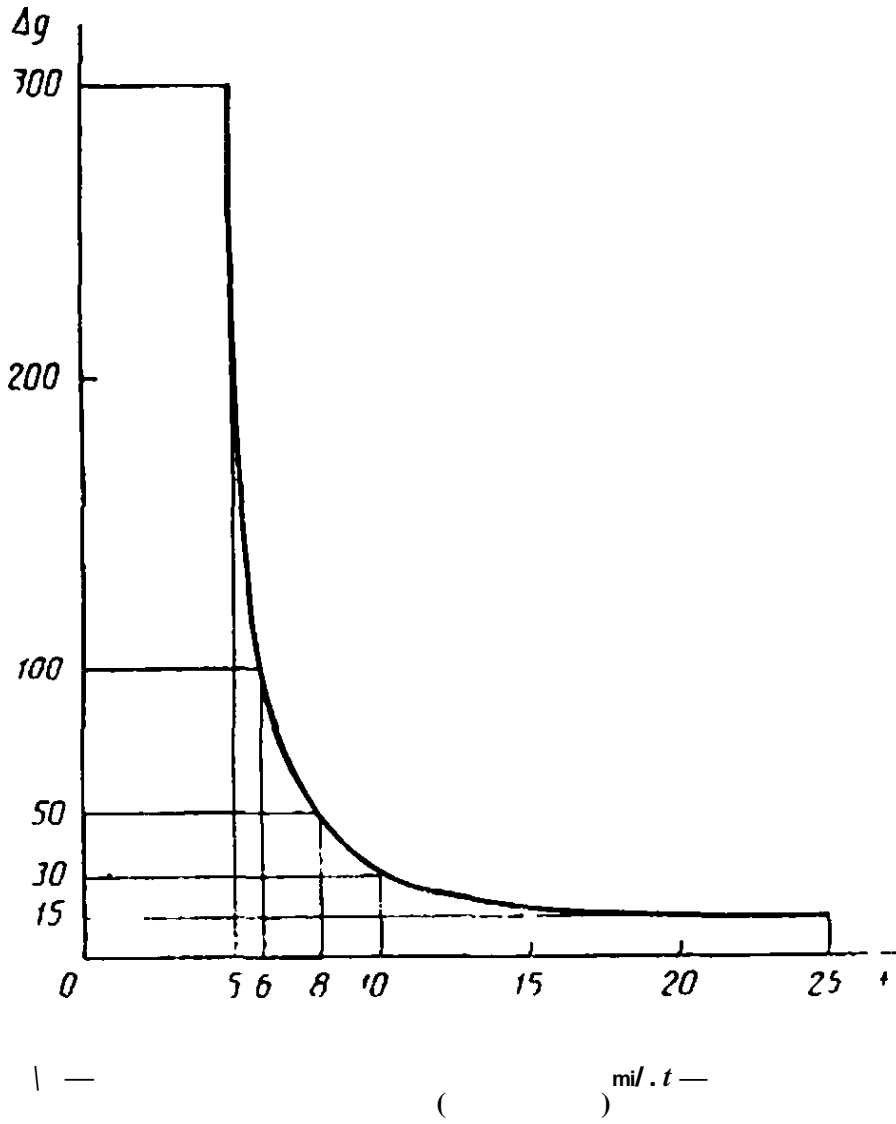
12.5
12.6

-1,5 P_v.

(-

).

()



() mi. t —

629.12-56:006.354

04

:

,

,

,

,

,

,

36 9574

. . .
. . .
. . .

29 06 94 , .17.0494. . . .2.56. . . .2,56.
.2,11. .427 . 1581.

<3 » , 107076, , 256. .1288 ., 14.